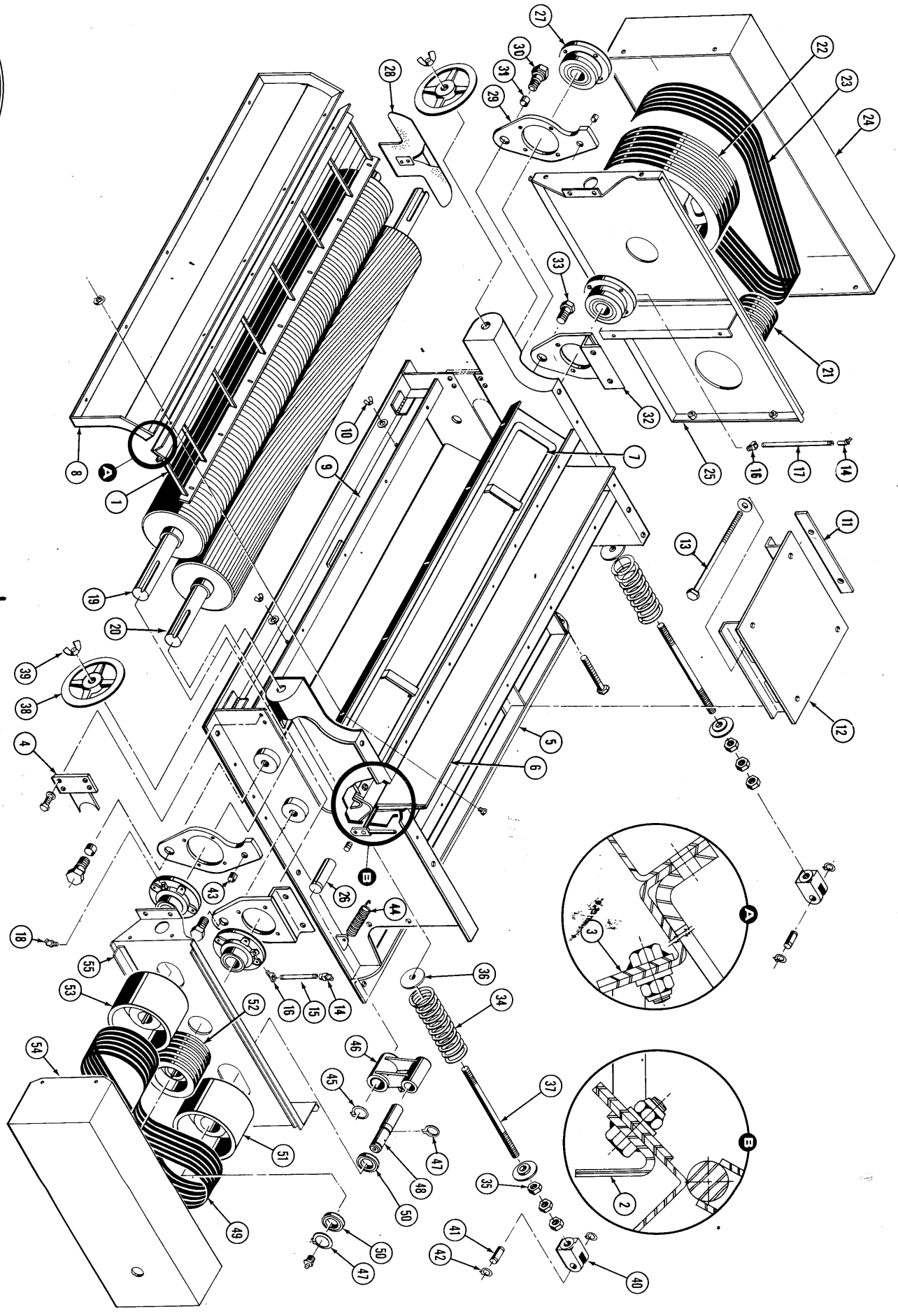




CALIFORNIA PELLET CRUMBLING MILL
MODEL 855 SA
DWG. NO. GA-1993-PF



1.4 ROLL SPEED RATIO

PARTS LIST NUMBER GA-1993-PF-1

ITEM NUMBER	PART NUMBER	PART	QTY	ITEM NUMBER	PART NUMBER	PART	QTY
1	8-0265-00	FRAME ASSEMBLY - COMPLETE	1	24	0-1772-00	BELT GUARD - DRIVE BELT	1
2	*0-0325-00	ROLL GUARD	1	25	0-1773-00	BACKING PLATE - DRIVE BELT	1
	*0-0328-00	FAST ROLL SEAL STRIP	7		3-9015-04	CAP SCREW 3/8" X 3/4"	6
	*3-9064-01	FLAT WASHER 5/16"	7		3-9065-03	LOCK WASHER 3/8"	6
3	*0-0329-00	ELASTIC STOP NUT 5/16"	1		3-9044-00	NUT 3/8"	2
	*3-9043-00	SLOW ROLL SEAL STRIP	5		0-0402-00	ROCKER SHAFT	1
	*3-9064-01	FLAT WASHER 5/16"	5		3-0209-00	BEARING - ROLL	4
4	*0-0403-00	ELASTIC STOP NUT 5/16"	2		3-9086-01	CAP SCREW 7/16" X 1-1/2"	16
	*3-9043-00	TIE STRAP	8		3-9066-00	LOCK WASHER 7/16"	16
	*3-9020-08	CAP SCREW 1/2" X 1-1/2"	8		0-0403-00	ROLL END BLOCK	2
	*3-9067-01	LOCK WASHER 1/2"	8		Use 8-0681-00		
	*3-9047-00	NUT 1/2"	1	28	0-0406-00	SWING ARM	2
5	*0-0419-01	FRAME	4	29	0-0407-00	SWING ARM PIVOT PIN	2
	*3-9020-08	CAP SCREW 1/2" X 1-1/2"	4	30	0-0407-00	PIVOT PIN BUSHING	2
6	*0-0420-00	BY-PASS GATE	1	31	3-0211-00		2
7	*0-0445-00	UPPER INSPECTION COVER	1				
8	*0-0446-00	REMOVABLE PANEL	1	32	0-0408-00	STATIONARY ARM	2
	*3-9015-03	CAP SCREW 3/8" X 1"	10		3-9067-01	LOCK WASHER 1/2"	4
	*3-9044-00	NUT 3/8"	10		3-9047-00	NUT 1/2"	4
9	*0-0453-00	LOWER INSPECTION COVER	1	33	3-9032-00	STATIONARY ARM BOLT	2
10	*3-9044-03	WING NUT 3/8"	2				
	*3-9065-01	FLAT WASHER 3/8"	2	34	0-0409-00	ROLL PRESSURE SPRING	2
11	*0-1439-00	BOLTING PLATE	1	35	3-9051-00	SPRING ADJUSTING NUT 3/4"	6
12	*0-1443-00	MOTOR BASE	1	36	0-0410-00	PRESSURE PAD	4
	*0-1800-00	MOTOR ADJUSTING SCREW	1	37	0-0411-00	ROLL ADJUSTING ROD - See inven info tabs 2	2
13	*3-1200-01	MOTOR BASE BOLT	2				
	*0-1804-00	GATE HANDLE	1	38	0-0412-00	HANDWHEEL	2
14	3-0187-05	LUBE FITTING - ALEMITE #1620B	2	39	0-0413-00	HANDWHEEL LOCK NUT	2
15	3-1166-01	LUBE FITTING - ALEMITE #1688B	2				
16	3-0187-06	PIPE NIPPLE 1/8" X 4"	1	40	0-0414-00	CLEVIS	2
17	3-1166-05	ELBOW BODY - ALEMITE #43708	2	41	0-0415-00	CLEVIS PIN	2
18	3-0153-01	LUBE FITTING	2	42	3-0103-00	RETAINING RING - TRUARC 5100-75	4
			1	43	3-0214-00	CLEVIS PIN BUSHING	2
			2	44	0-0418-00	IDLER SPRING	1
19	SEE PAGE 2	SLOW ROLL	1	45	3-0208-00	RETAINING RING - TRUARC 5100-150	1
	0-0388-04	KEY - DRIVE SHEAVE	1	46	0-0416-00	IDLER BRACKET	1
20	SEE PAGE 2	FAST ROLL	1	47	3-0107-00	RETAINING RING - TRUARC 5100-137	2
	0-0388-04	KEY - DRIVE SHEAVE	1	48	0-0417-01	IDLER BRACKET SHAFT	1
	5-1645-50	KEY - DRIVEN SHEAVE	1		3-0155-00	LUBE FITTING	1
21	SEE PAGE 2	MOTOR SHEAVE	1	*49	3-0188-12	REVERSING BELT	6
22	SEE PAGE 2	FAST ROLL DRIVE SHEAVE	1	50	3-0215-00	BEARING - FAFNIR 207-KL	2
23	SEE PAGE 2	DRIVE BELT	1	51	0-0431-00	IDLER PULLEY 8.5" OD	1
				52	3-0219-00	SHEAVE - REVERSING BELT	1

L- JPM June 08 - 99 quoted
 OD/6 Gr/B/6.0 PD
 A56869 (6/5/00)

(CONTINUED ON PAGE 2)

Variable but can be 3V 6A XA sink.